

LEGEND:

- ROUTE OPTION A
- ROUTE OPTION B
- ROUTE OPTION C

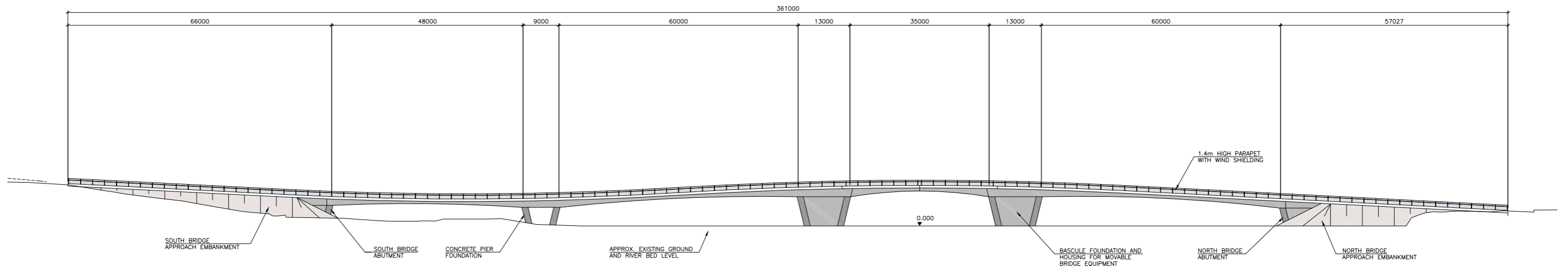
PLAN
 A1 SCALE 1:2500
 A3 SCALE 1:5000



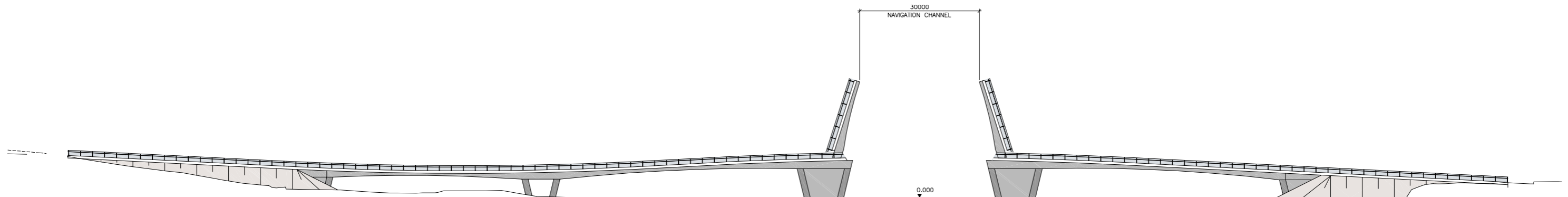
Roughan & O'Donovan
 Consulting Engineers
 Civil - Structural - Transportation - Environmental

Arena House, Arena Road,
 Sandyford, Dublin 18.
 Tel : +353 1 294 0800
 Fax : +353 1 294 0820
 e-mail : info@rod.ie
 www.roughanodonovan.com

Project		Title	
NARROW WATER BRIDGE PROJECT		ROUTE OPTIONS CONSIDERED	
ENVIRONMENTAL IMPACT STATEMENT / ENVIRONMENTAL STATEMENT		ENVIRONMENTAL STATEMENT	
Designed: RMR	CAD File: 08.119 EIS	Status:	E.I.S.
Drawn: RE	Job No: 08.119	Checked: BC	Scale: AS SHOWN
Approved: TD	Date: JAN 2012	Approved: TD	Date: JAN 2012
		Drawing No:	FIG 4.1



BRIDGE ELEVATION – IN CLOSED POSITION
1:500



BRIDGE ELEVATION – IN OPENED POSITION
1:500

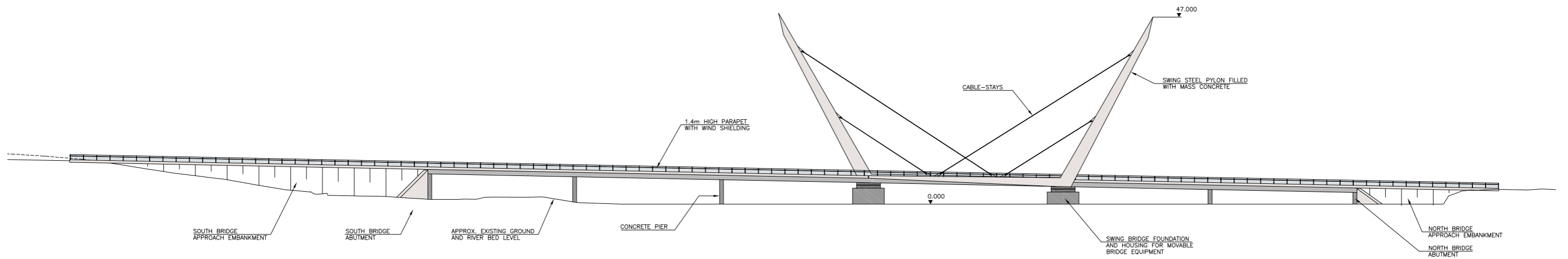


Roughan & O'Donovan
Consulting Engineers
Civil - Structural - Transportation - Environmental

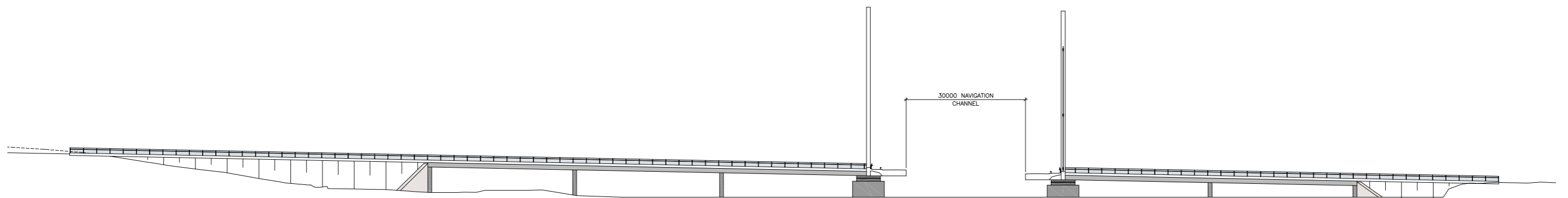
Arena House, Arena Road,
Sandyford, Dublin 18.
Tel : +353 1 294 0800
Fax : +353 1 294 0820
e-mail : info@rod.ie
www.roughanodonovan.com

Project
NARROW WATER BRIDGE PROJECT
ENVIRONMENTAL IMPACT STATEMENT / ENVIRONMENTAL STATEMENT

Title DESIGN OPTION 1 MULTI SPAN BRIDGE WITH BASCULE OPENING BRIDGE ELEVATIONS - OPEN & CLOSED POSITIONS			
Designed: RMR	CAD File: 08.119 EIS	Status: E.I.S.	
Drawn: RE	Job No: 08.119	Drawn No:	Rev:
Checked: BC	Scale: AS SHOWN	FIG 4.2	
Approved: TD	Date: JAN 2012		



BRIDGE ELEVATION – IN CLOSED POSITION
1:500



BRIDGE ELEVATION – IN OPENED POSITION
1:500

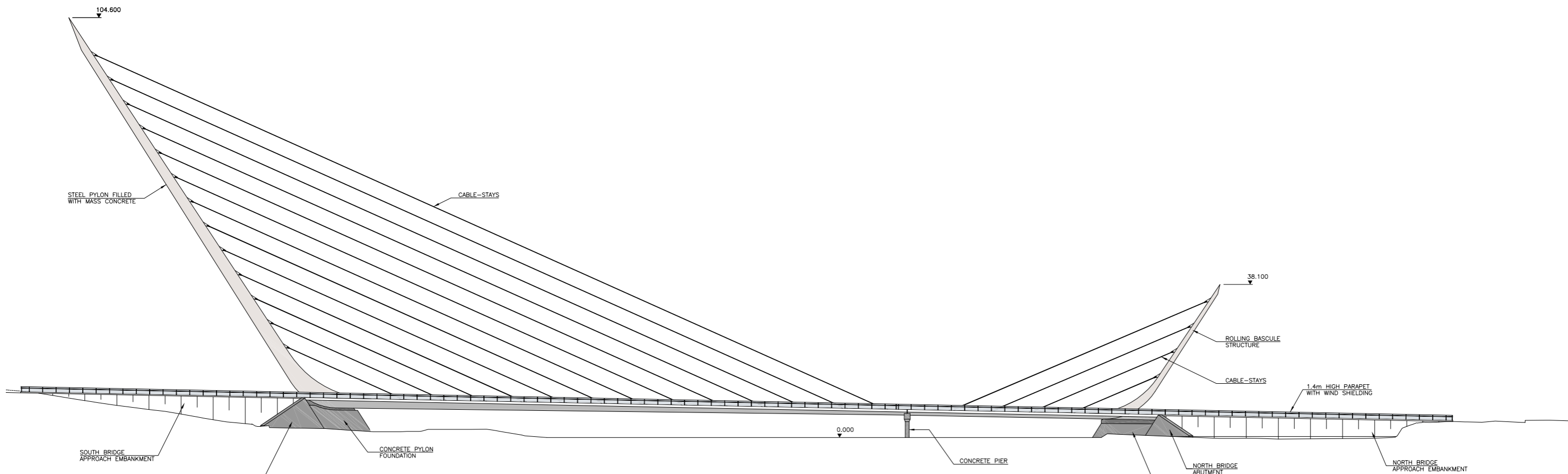


Roughan & O'Donovan
Consulting Engineers
Civil - Structural - Transportation - Environmental

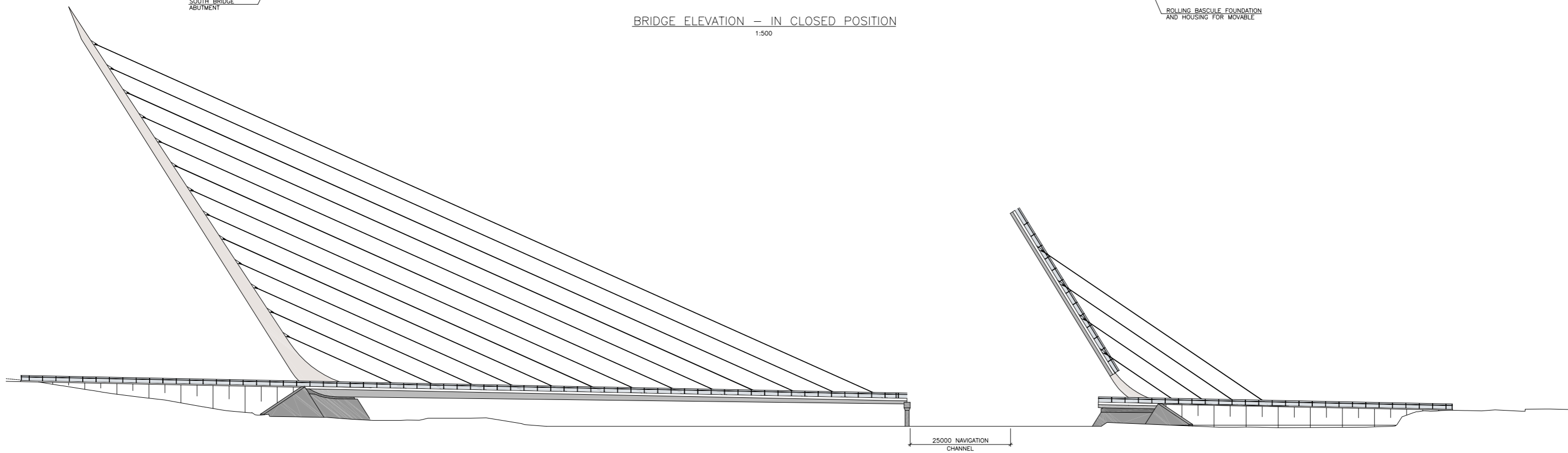
Arena House, Arena Road,
Sandyford, Dublin 18.
Tel : +353 1 294 0800
Fax : +353 1 294 0820
e-mail : info@rod.ie
www.roughanodonovan.com

Project
NARROW WATER BRIDGE PROJECT
ENVIRONMENTAL IMPACT STATEMENT / ENVIRONMENTAL STATEMENT

Title		DESIGN OPTION 2 MULTI SPAN BRIDGE WITH TWIN SWING OPENING BRIDGE ELEVATIONS - OPEN & CLOSED POSITIONS	
Designed:	RMR	CAD File:	08.119 EIS
Drawn:	RE	Job No:	08.119
Checked:	BC	Scale:	AS SHOWN
Approved:	TD	Date:	JAN 2012
Status:		E.I.S.	
Drawing No:		FIG 4.3	
Rev:			



BRIDGE ELEVATION – IN CLOSED POSITION
1:500



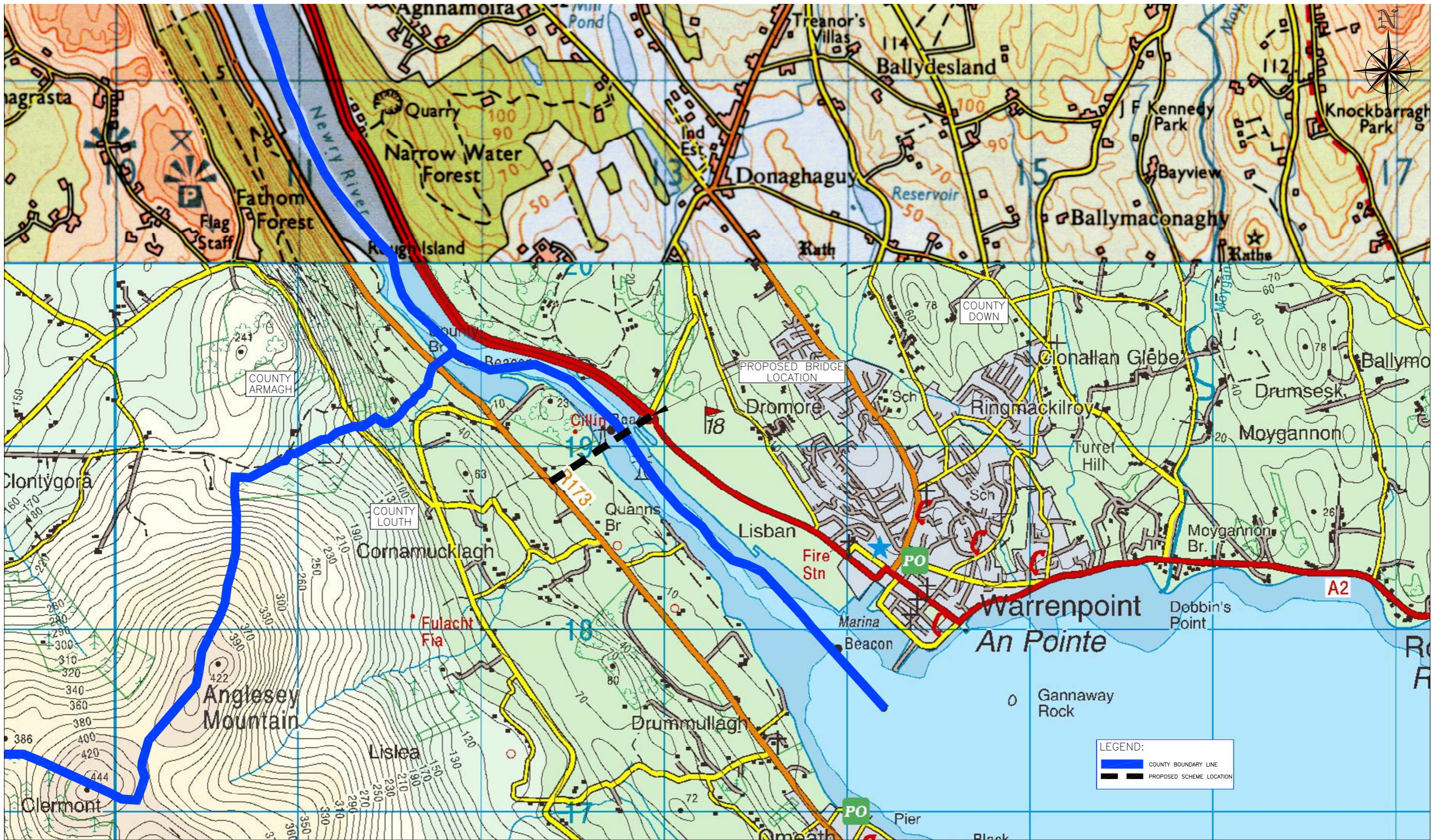
BRIDGE ELEVATION – IN OPENED POSITION
1:500



Roughan & O'Donovan
Consulting Engineers
Civil - Structural - Transportation - Environmental

Arena House, Arena Road,
Sandyford, Dublin 18.
Tel : +353 1 294 0800
Fax : +353 1 294 0820
e-mail : info@rod.ie
www.roughanodonovan.com

Project		Title	
NARROW WATER BRIDGE PROJECT		DESIGN OPTION 3 - CABLE STAYED BRIDGE WITH RILLING BASCULE OPENING	
ENVIRONMENTAL IMPACT STATEMENT / ENVIRONMENTAL STATEMENT		BRIDGE ELEVATIONS - OPEN & CLOSED POSITIONS	
Designed: RMR	CAD File: 08.119 EIS	Status:	E.I.S.
Drawn: RE	Job No: 08.119	Checked: BC	Scale: AS SHOWN
Approved: TD	Date: JAN 2012	Approved: TD	Date: JAN 2012
		Drawing No:	FIG 4.4
		Rev:	



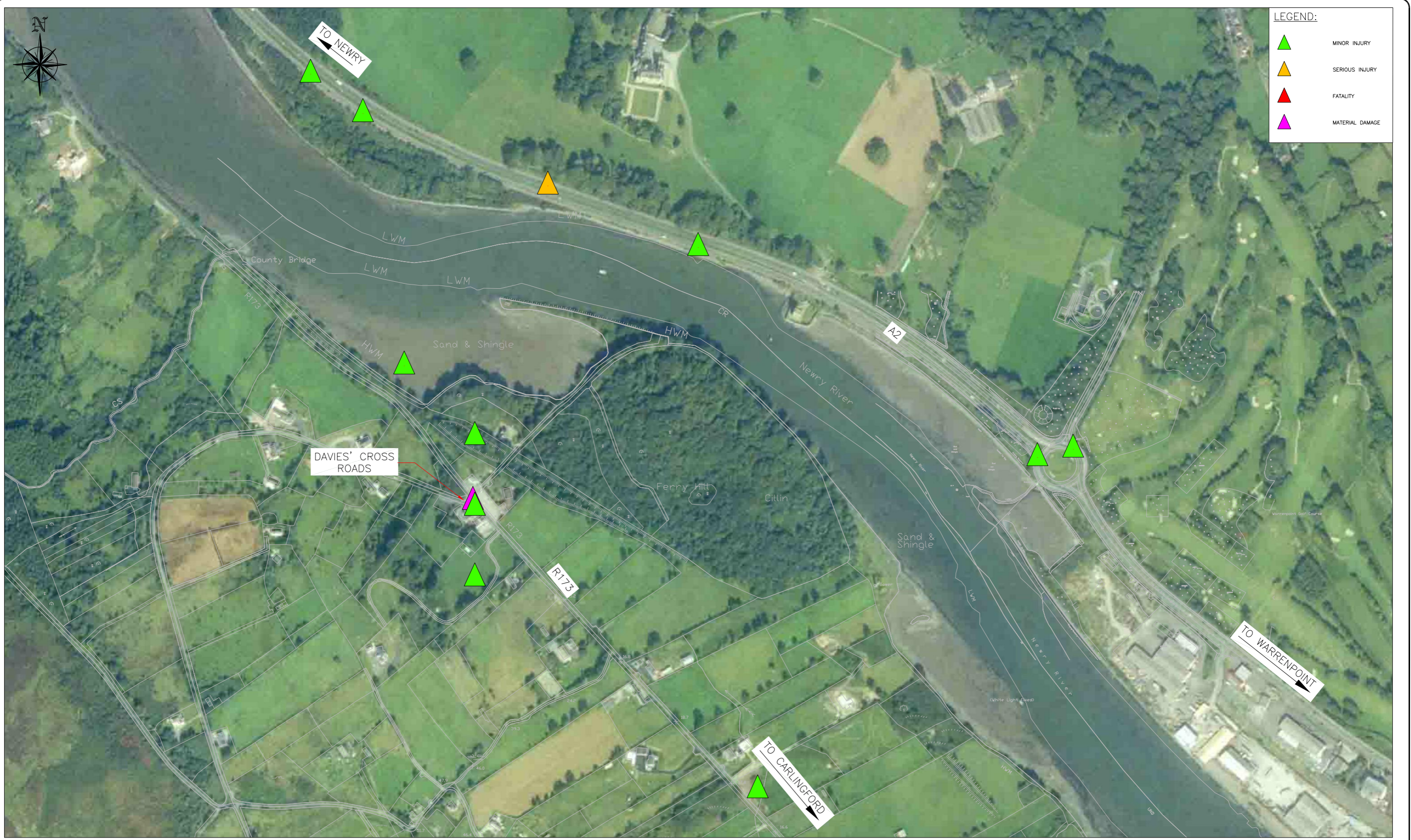
PLAN
A1 SCALE 1:10,000 A3 SCALE 1:20,000



Roughan & O'Donovan
Consulting Engineers
Civil - Structural - Transportation - Environmental

Arena House, Arena Road,
Sandyford, Dublin 18.
Tel : +353 1 294 0800
Fax : +353 1 294 0820
e-mail : info@rod.ie
www.roughanodonovan.com

Project		Title	
NARROW WATER BRIDGE PROJECT		LOCAL ROAD NETWORK	
ENVIRONMENTAL IMPACT STATEMENT / ENVIRONMENTAL STATEMENT		Designed: RMR	CAD File: 08.119 EIS
Drawn: RE	Job No: 08.119	Checked: BC	Scale: AS SHOWN
Approved: TD	Date: JAN 2012	Status: E.I.S.	Drawing No: FIG 5.1



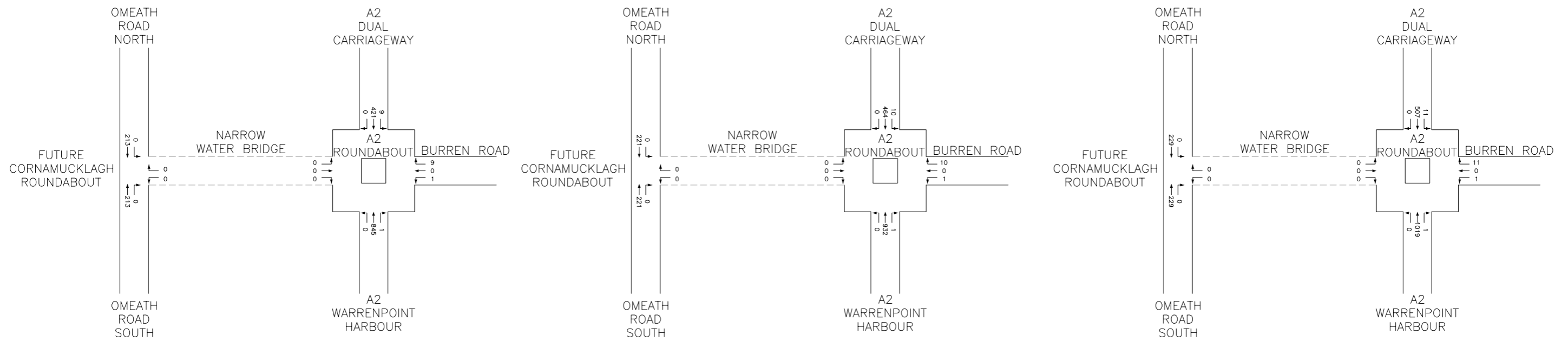
ACCIDENT POINTS PLAN
 A1 SCALE 1:4000
 A3 SCALE 1:8000



Roughan & O'Donovan
 Consulting Engineers
 Civil - Structural - Transportation - Environmental

Arena House, Arena Road,
 Sandyford, Dublin 18.
 Tel : +353 1 294 0800
 Fax : +353 1 294 0820
 e-mail : info@rod.ie
 www.roughanodonovan.com

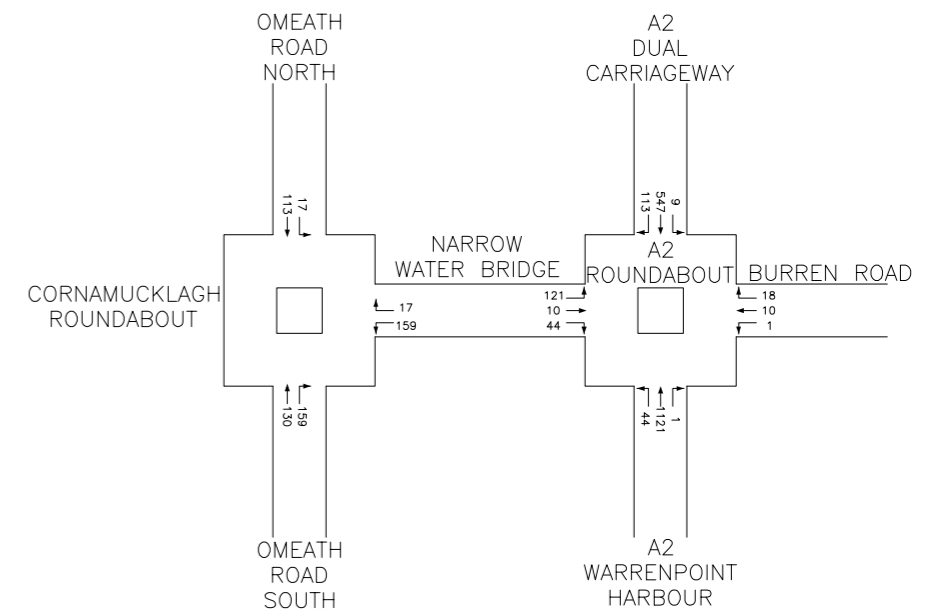
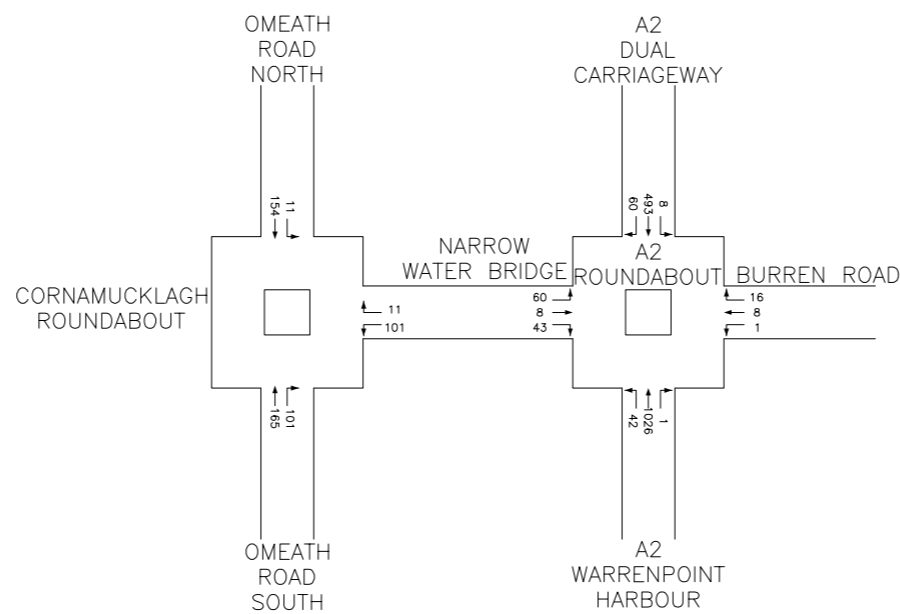
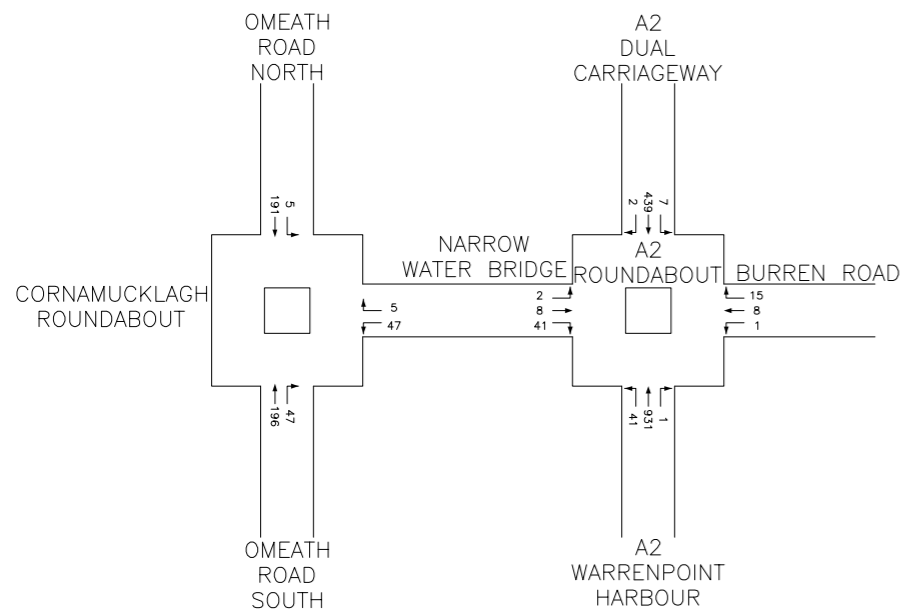
Project		Title	
NARROW WATER BRIDGE PROJECT		ROAD ACCIDENT LOCATIONS	
ENVIRONMENTAL IMPACT STATEMENT / ENVIRONMENTAL STATEMENT		Designed: RMR	CAD File: 08.119 EIS
Drawn: RE	Job No: 08.119	Checked: BC	Scale: AS SHOWN
Approved: TD	Date: JAN 2012	Approved: TD	Date: JAN 2012
		Status: E.I.S.	Drawing No: FIG 5.2



Roughan & O'Donovan
 Consulting Engineers
 Civil - Structural - Transportation - Environmental

Arena House, Arena Road,
 Sandyford, Dublin 18.
 Tel : +353 1 294 0800
 Fax : +353 1 294 0820
 e-mail : info@rod.ie
 www.roughanodonovan.com

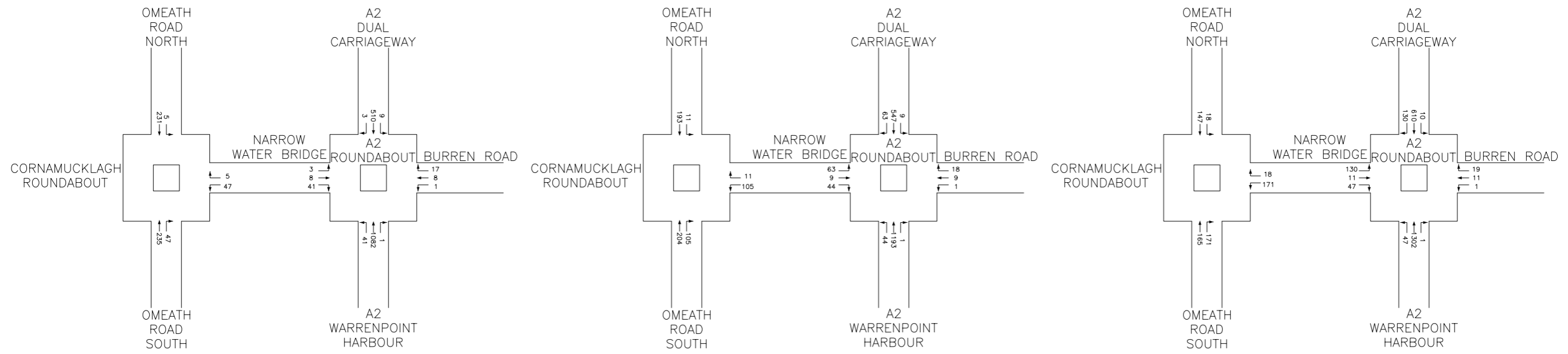
Project		Title	
NARROW WATER BRIDGE PROJECT		EXISTING PEAK HOUR TRAFFIC FLOWS (2007)	
ENVIRONMENTAL IMPACT STATEMENT / ENVIRONMENTAL STATEMENT		Designed: RMR	CAD File: 08.119 EIS
Drawn: RE	Job No: 08.119	Checked: BC	Scale: N.T.S
Approved: TD	Date: JAN 2012	Status: E.I.S.	Drawing No: FIG 5.3



Roughan & O'Donovan
 Consulting Engineers
 Civil - Structural - Transportation - Environmental

Arena House, Arena Road,
 Sandyford, Dublin 18.
 Tel : +353 1 294 0800
 Fax : +353 1 294 0820
 e-mail : info@rod.ie
 www.roughanodonovan.com

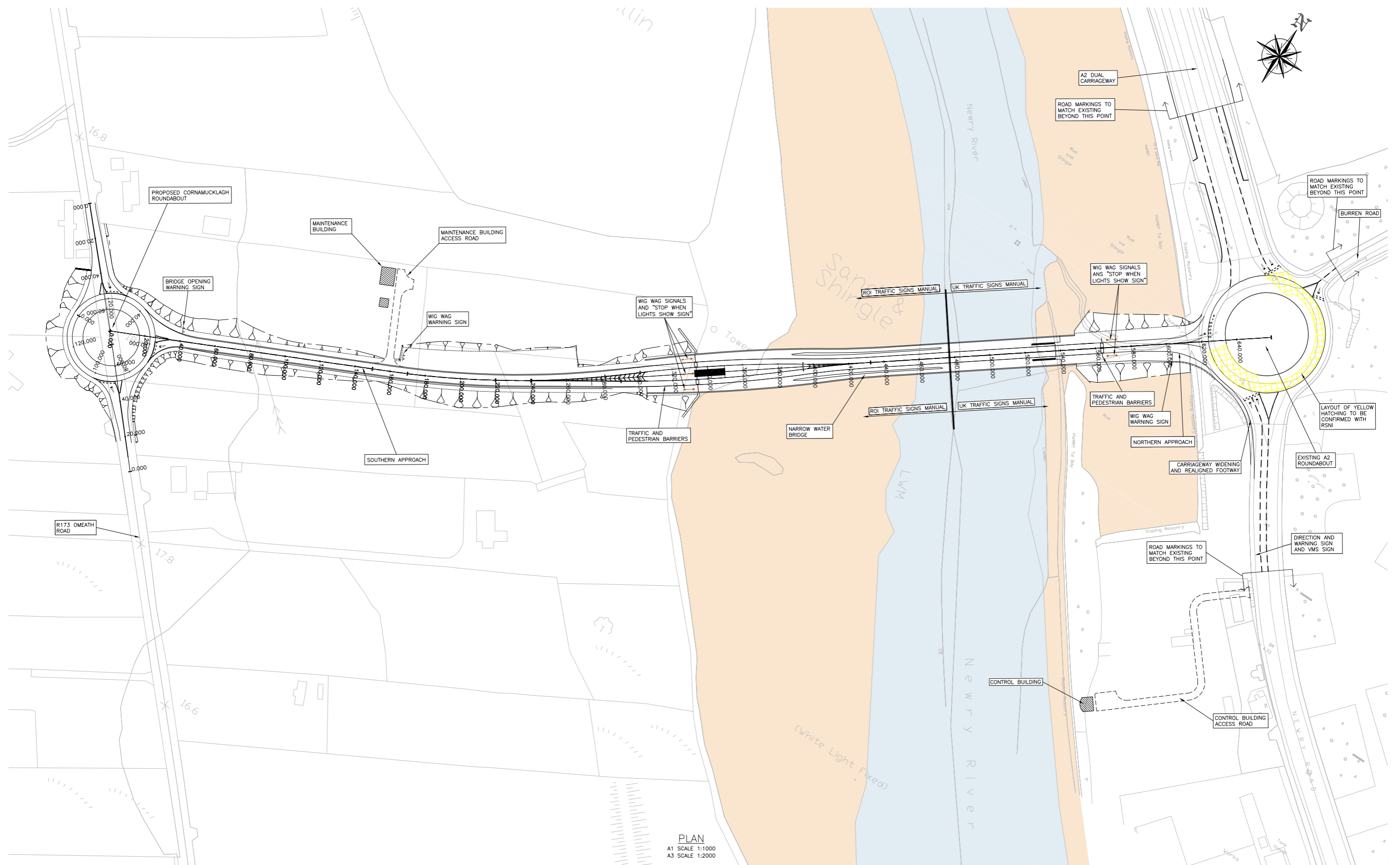
Project		Title	
NARROW WATER BRIDGE PROJECT		OPENING PEAK HOUR TRAFFIC FLOWS (2013)	
ENVIRONMENTAL IMPACT STATEMENT / ENVIRONMENTAL STATEMENT		Designed: RMR	CAD File: 08.119 EIS
Drawn: RE	Job No: 08.119	Checked: BC	Scale: N.T.S.
Approved: TD	Date: JAN 2012	Status: E.I.S.	Drawing No: FIG 5.4



Roughan & O'Donovan
 Consulting Engineers
 Civil - Structural - Transportation - Environmental

Arena House, Arena Road,
 Sandyford, Dublin 18.
 Tel : +353 1 294 0800
 Fax : +353 1 294 0820
 e-mail : info@rod.ie
 www.roughanodonovan.com

Project		Title	
NARROW WATER BRIDGE PROJECT		DESIGN YEAR PEAK HOUR TRAFFIC FLOWS (2033)	
ENVIRONMENTAL IMPACT STATEMENT / ENVIRONMENTAL STATEMENT		Designed: RMR	CAD File: 08.119 EIS
Drawn: RE	Job No: 08.119	Checked: BC	Scale: N.T.S
Approved: TD	Date: JAN 2012	Status: E.I.S.	Drawing No: FIG 5.5



PLAN
 A1 SCALE 1:1000
 A3 SCALE 1:2000



Roughan & O'Donovan
 Consulting Engineers
 Civil - Structural - Transportation - Environmental

Arena House, Arena Road,
 Sandyford, Dublin 18.
 Tel : +353 1 294 0800
 Fax : +353 1 294 0820
 e-mail : info@rod.ie
 www.roughanodonovan.com

Project **NARROW WATER BRIDGE PROJECT**
ENVIRONMENTAL IMPACT STATEMENT / ENVIRONMENTAL STATEMENT

Title		TRAFFIC SIGNS AND ROAD MARKINGS SHEET 1 OF 2	
Designed:	RMR	CAD File:	08.119 EIS
Drawn:	RE	Job No:	08.119
Checked:	BC	Scale:	AS SHOWN
Approved:	TD	Date:	JAN 2012
		Status:	E.I.S.
		Drawing No:	FIG 5.6
		Rev:	

2 NO. BRIDGE OPENING AND QUEUES LIKELY WARNING SIGN AND VMS SIGN 1450m IN ADVANCE OF YIELD LINE

2 NO. VMS SIGNS 1350m IN ADVANCE OF YIELD LINE

2 NO. ROUNDABOUT AHEAD WARNING SIGNS "GATEWAY TREATMENT" 300m IN ADVANCE OF YIELD LINE

1 NO. DIRECTION SIGN 140m IN ADVANCE OF YIELD LINE

1 NO. COMBINED DIRECTION AND WARNING SIGN AND VMS SIGN 540m IN ADVANCE OF YIELD LINE

2 NO. VMS SIGNS 350m IN ADVANCE OF YIELD LINE

1 NO. COMBINED DIRECTION AND WARNING SIGN AND 1 NO. STAND ALONE VMS SIGN 250m IN ADVANCE OF YIELD LINE

REFER TO FIGURE 5.6 FOR SIGN LOCATION IN THE IMMEDIATE VICINITY OF THE NARROW WATER BRIDGE

1 NO. COMBINED DIRECTION AND WARNING SIGN AND VMS SIGN 100m IN ADVANCE OF YIELD LINE

1 NO. BRIDGE OPENING AND QUEUES LIKELY WARNING SIGN AND VMS SIGN 800m IN ADVANCE OF YIELD LINE



1 NO. DIRECTION SIGN 140m IN ADVANCE OF YIELD LINE

2 NO. ROUNDABOUT AHEAD WARNING SIGNS "GATEWAY TREATMENT" 300m IN ADVANCE OF YIELD LINE

PLAN

A1 SCALE 1:1000
A3 SCALE 1:2000



Arena House, Arena Road,
Sandyford, Dublin 18.
Tel : +353 1 294 0800
Fax : +353 1 294 0820
e-mail : info@rod.ie
www.roughanodonovan.com

Project		Title	
NARROW WATER BRIDGE PROJECT		TRAFFIC SIGNS AND ROAD MARKINGS SHEET 2 OF 2	
ENVIRONMENTAL IMPACT STATEMENT / ENVIRONMENTAL STATEMENT		Designed: RMR	CAD File: 08.119 EIS
Drawn: RE	Job No: 08.119	Checked: BC	Scale: AS SHOWN
Approved: TD	Date: JAN 2012	Status: E.I.S.	Drawing No: FIG 5.7